

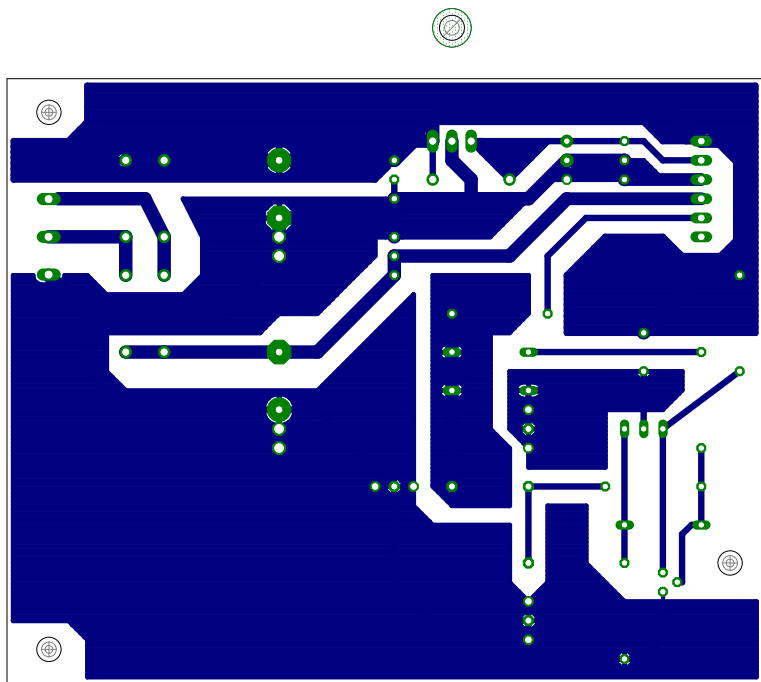
TITLE: FreeWurli\_power-supply

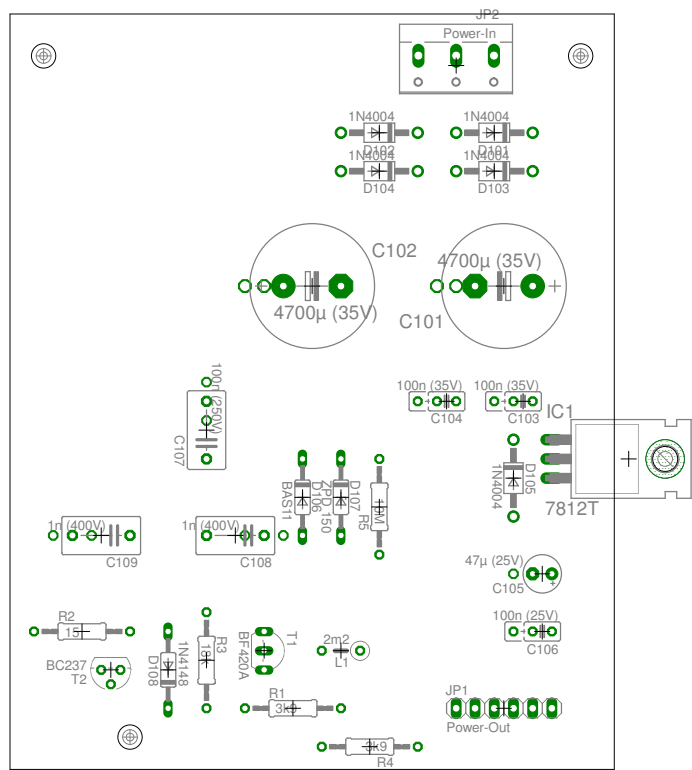
Document Number:

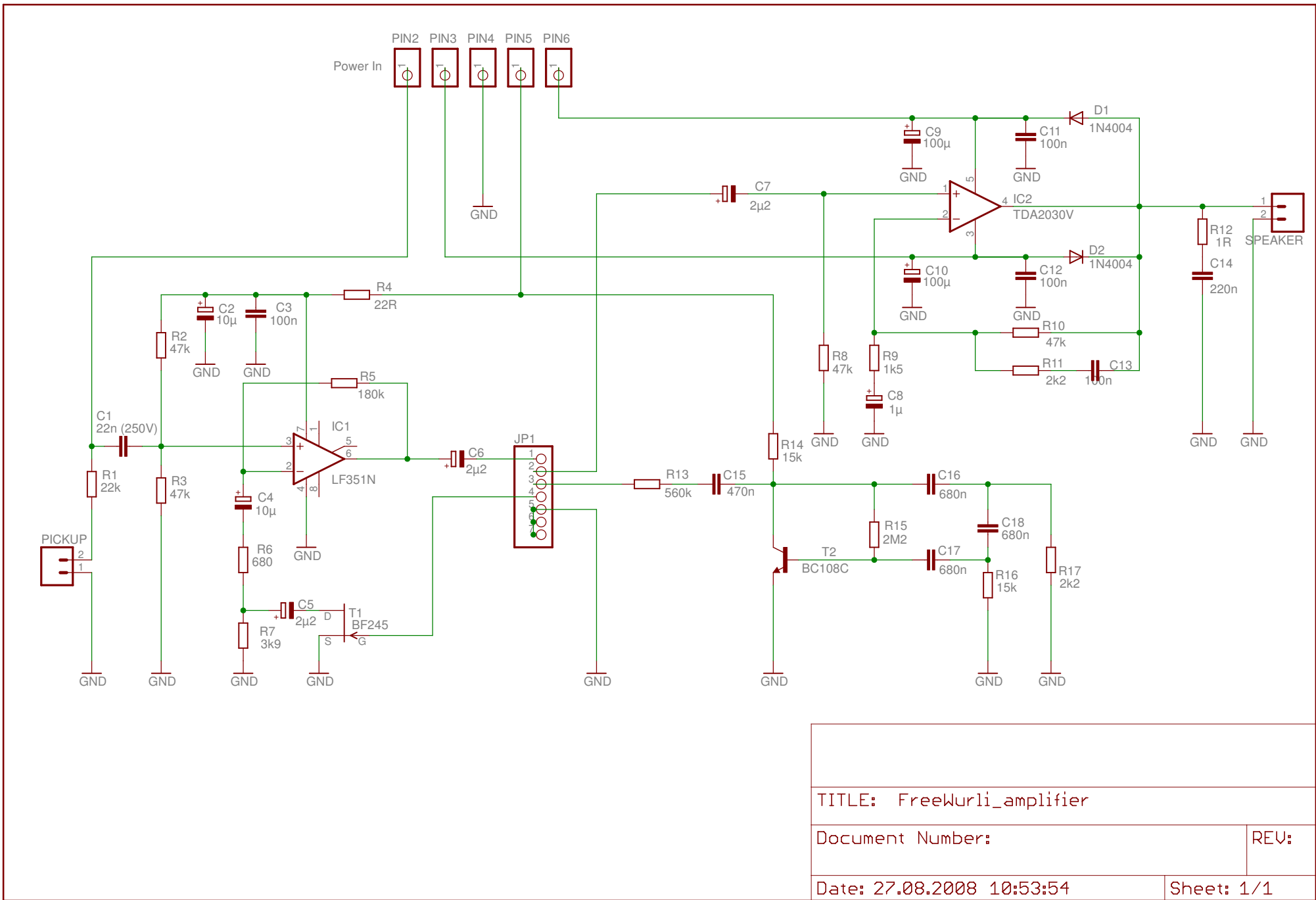
REV:

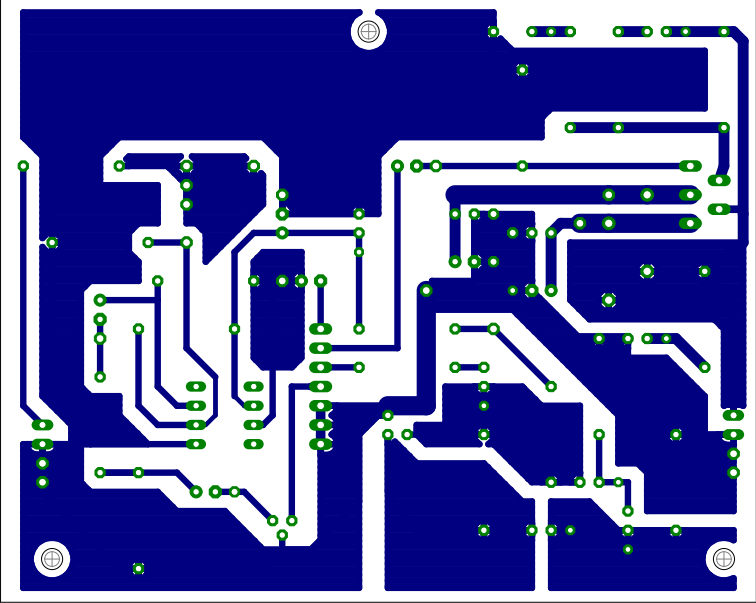
Date: 26.08.2008 21:36:48

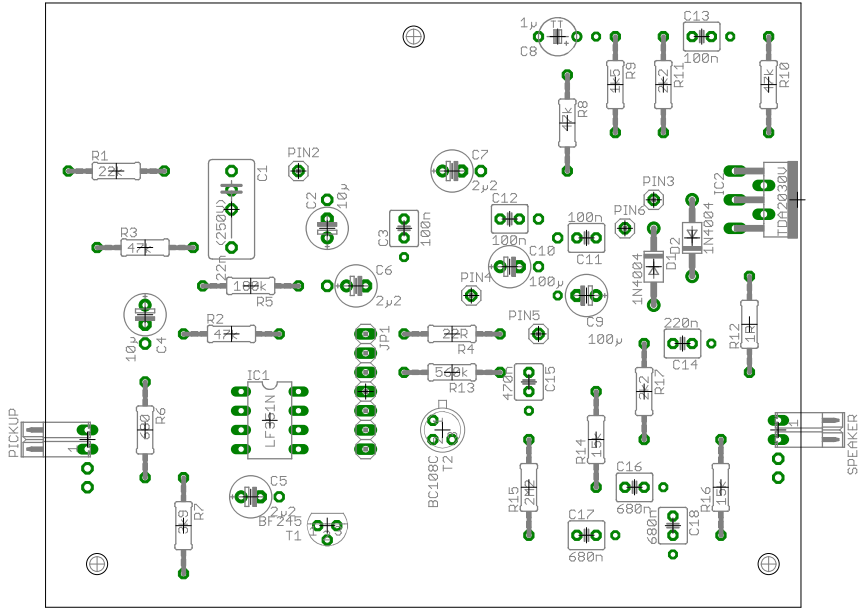
Sheet: 1/1



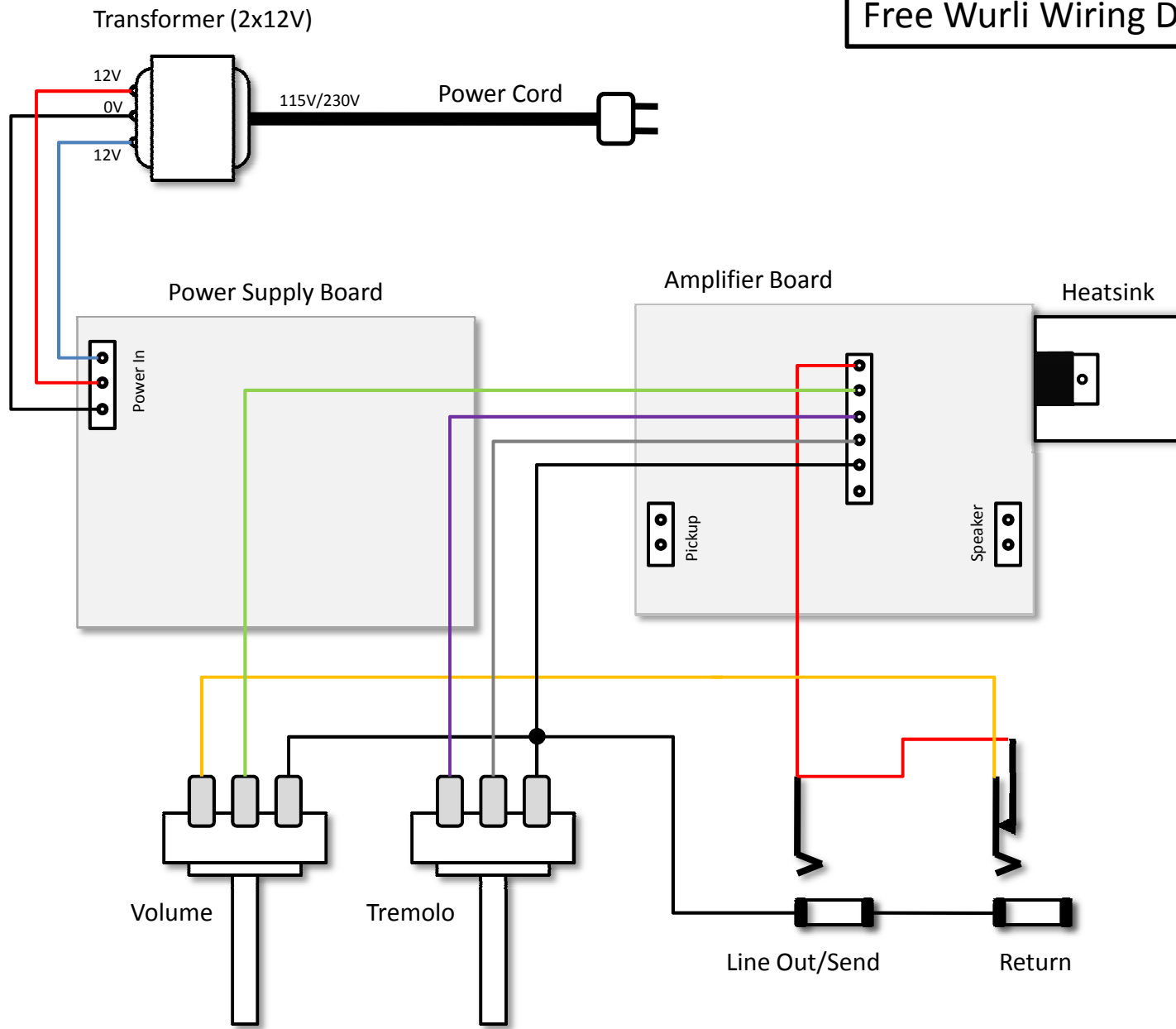








# Free Wurli Wiring Diagram



## PARTLIST POWER SUPPLY

| Part        | Value                                                        | inter-lead<br>spacing | alternative<br>inter-lead<br>spacing |
|-------------|--------------------------------------------------------------|-----------------------|--------------------------------------|
| C101        | 4700 $\mu$ (35V)                                             | 7.5mm                 | 10mm/12.5mm                          |
| C102        | 4700 $\mu$ (35V)                                             | 7.5mm                 | 10mm/12.5mm                          |
| C103        | 100n (35V)                                                   | 2.5mm                 | 5mm                                  |
| C104        | 100n (35V)                                                   | 2.5mm                 | 5mm                                  |
| C105        | 47 $\mu$ (25V)                                               | 2.5mm                 | 5mm                                  |
| C106        | 100n (25V)                                                   | 2.5mm                 | 5mm                                  |
| C107        | 100n (250V)                                                  | 2.5mm                 | 5mm                                  |
| C108        | 1n (400V)                                                    | 7.5mm                 | 5mm/10mm                             |
| C109        | 1n (400V)                                                    | 7.5mm                 | 5mm/10mm                             |
| D101        | 1N4004                                                       |                       |                                      |
| D102        | 1N4004                                                       |                       |                                      |
| D103        | 1N4004                                                       |                       |                                      |
| D104        | 1N4004                                                       |                       |                                      |
| D105        | 1N4004                                                       |                       |                                      |
| D106        | BAS11                                                        |                       |                                      |
| D107        | ZPD 150                                                      |                       |                                      |
| D108        | 1N4148                                                       |                       |                                      |
| IC1         | LM7812T                                                      |                       |                                      |
| JP1         | pin connector block (5-6 positions 2.5mm spacing each)       |                       |                                      |
| JP2         | connector terminal block (3 positions with 5mm spacing each) |                       |                                      |
| L1          | 2m2                                                          |                       |                                      |
| R1          | 3k9                                                          |                       |                                      |
| R2          | 15R                                                          |                       |                                      |
| R3          | 18k                                                          |                       |                                      |
| R4          | 3k9                                                          |                       |                                      |
| R5          | 10M                                                          |                       |                                      |
| T1          | BF420A                                                       |                       |                                      |
| T2          | BC237                                                        |                       |                                      |
| Transformer | 2x12V                                                        | 66VA                  |                                      |

## PARTLIST AMPLIFIER

| Part    | Value                                                            | inter-lead<br>spacing | alternative<br>inter-lead<br>spacing |
|---------|------------------------------------------------------------------|-----------------------|--------------------------------------|
| C1      | 22n (250V)                                                       | 7.5mm                 | 5mm/10mm                             |
| C2      | 10 $\mu$                                                         | 2.5mm                 | 5mm                                  |
| C3      | 100n                                                             | 2.5mm                 | 5mm                                  |
| C4      | 10 $\mu$                                                         | 2.5mm                 | 5mm                                  |
| C5      | 2 $\mu$ 2                                                        | 2.5mm                 | 5mm Tremolo version only             |
| C6      | 2 $\mu$ 2                                                        | 2.5mm                 | 5mm                                  |
| C7      | 2 $\mu$ 2                                                        | 2.5mm                 | 5mm                                  |
| C8      | 1 $\mu$                                                          | 2.5mm                 | 5mm                                  |
| C9      | 100 $\mu$                                                        | 2.5mm                 | 5mm                                  |
| C10     | 100 $\mu$                                                        | 2.5mm                 | 5mm                                  |
| C11     | 100n                                                             | 2.5mm                 | 5mm                                  |
| C12     | 100n                                                             | 2.5mm                 | 5mm                                  |
| C13     | 100n                                                             | 2.5mm                 | 5mm                                  |
| C14     | 220n                                                             | 2.5mm                 | 5mm                                  |
| C15     | 470n                                                             | 2.5mm                 | 5mm Tremolo version only             |
| C16     | 680n                                                             | 2.5mm                 | 5mm Tremolo version only             |
| C17     | 680n                                                             | 2.5mm                 | 5mm Tremolo version only             |
| C18     | 680n                                                             | 2.5mm                 | 5mm Tremolo version only             |
| D1      | 1N4004                                                           |                       |                                      |
| D2      | 1N4004                                                           |                       |                                      |
| IC1     | LF351N                                                           |                       |                                      |
| IC2     | TDA2030V                                                         |                       |                                      |
| JP1     | pin connector block (5-7 positions with 2.5mm spacing each)      |                       |                                      |
| PICKUP  | connector terminal block (2-4 positions with 2.5mm spacing each) |                       |                                      |
| SPEAKER | connector terminal block (2-4 positions with 2.5mm spacing each) |                       |                                      |
| R1      | 22k                                                              |                       |                                      |
| R2      | 47k                                                              |                       |                                      |
| R3      | 47k                                                              |                       |                                      |
| R4      | 22R                                                              |                       |                                      |
| R5      | 180k                                                             |                       |                                      |
| R6      | 680                                                              |                       |                                      |
| R7      | 3k9                                                              |                       |                                      |
| R8      | 47k                                                              |                       |                                      |
| R9      | 1k5                                                              |                       |                                      |
| R10     | 47k                                                              |                       |                                      |
| R11     | 2k2                                                              |                       |                                      |
| R12     | 1R                                                               |                       |                                      |
| R13     | 560k                                                             | Tremolo version only  |                                      |
| R14     | 15k                                                              | Tremolo version only  |                                      |
| R15     | 2M2                                                              | Tremolo version only  |                                      |
| R16     | 15k                                                              | Tremolo version only  |                                      |
| R17     | 2k2                                                              | Tremolo version only  |                                      |
| T1      | BF245                                                            | Tremolo version only  |                                      |
| T2      | BC108C                                                           | Tremolo version only  |                                      |